

# SPECIFICATIONS

Music Power Output: 2 x 140 watts at 4 ohms, 1kHz (DIN)  
 2 x 100 watts at 8 ohms, 1kHz (DIN)

Continuous Power Output: 2 x 100 watts at 4 ohms, 1kHz (DIN)  
 2 x 75 watts at 8 ohms, 1kHz (DIN)  
 70 watts per channel, min. RMS, at 8 ohms, both channels driven, from 20 Hz to 20 kHz, with no more than 0.018% THD.

Total Harmonic Distortion: 0.018% at rated power  
 IM Distortion: 0.005% at rated power  
 Damping Factor: 50 at 8 ohms  
 Frequency Response: 2 - 50,000 Hz ± 1 dB  
 RIAA Deviation (MM): 20 - 20,000 Hz ± 0.5 dB  
 Sensitivity and Impedance: Phono(MM): 2.5 mV/50 kohms  
 Phono(MC): 160 μV/100/220 ohms  
 Tuner: 150 mV/50 kohms  
 Tape Play: 150 mV/50 kohms  
 Tape Rec: 150 mV/1.5 kohms (phono)

Phono Overload: 200 mV RMS at 1 kHz, 0.018% THD

Bass Control: ±8 dB at 70 Hz  
 Treble Control: ±8 dB at 20,000 Hz

Signal to Noise Ratio: Phono(MM): 80 dB (IHF A-202, 5 mV input, 1 watt output)  
 Phono(MC): 70 dB (IHF A-202, 0.5 mV input, 1 watt output)

Tuner & Tape: 84 dB (IHF A-202, 0.5 V input, 1 watt output)

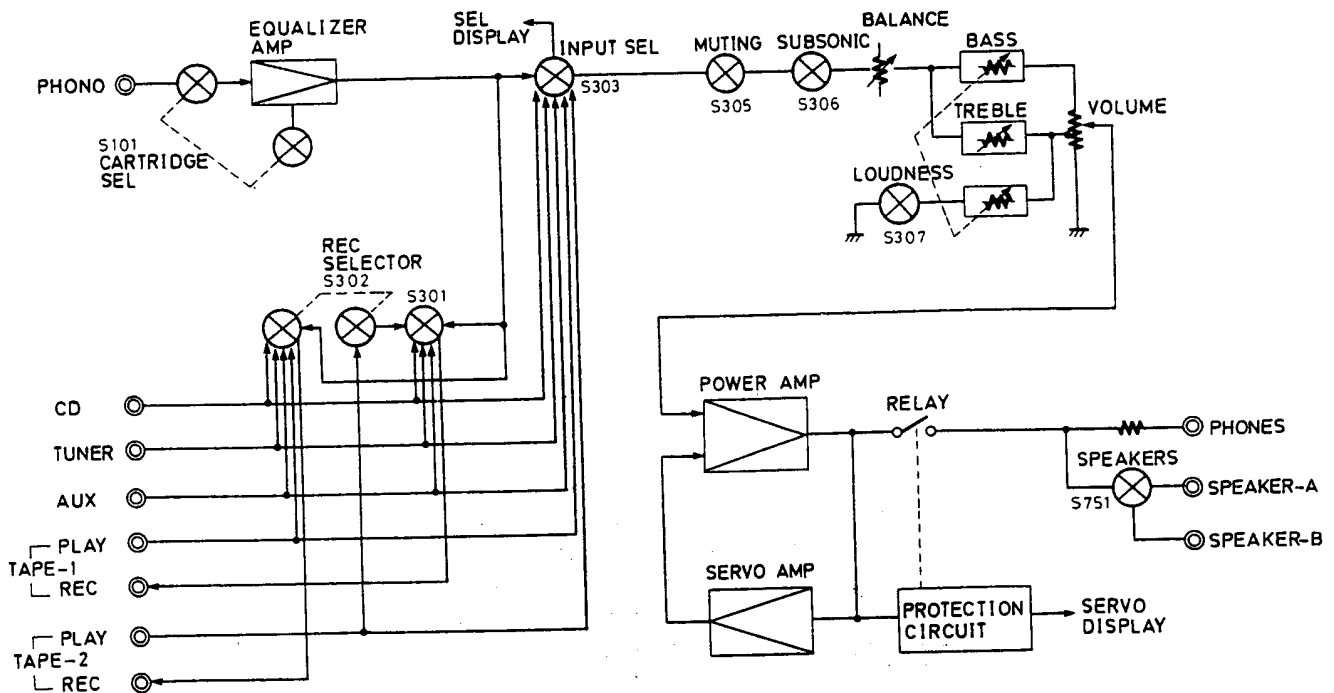
Muting: -20 dB  
 Loudness Control: +6 dB at 70 Hz, +5 dB at 20 k Hz  
 Subsonic Filter: 15 Hz (6 dB/Octave)  
 High Cut (TREBLE MIN): 6 kHz (6 dB/Octave)

### General

Power Supply: AC220V, 50Hz  
 Semiconductors: IC: 4 TR: 38 Diode: 43  
 Dimensions: 435(W) x 144(H) x 391(D)mm  
 17-1/8" x 5-5/8" x 15-3/8"  
 Weight: 10.5 kg. (23.2 lbs.)

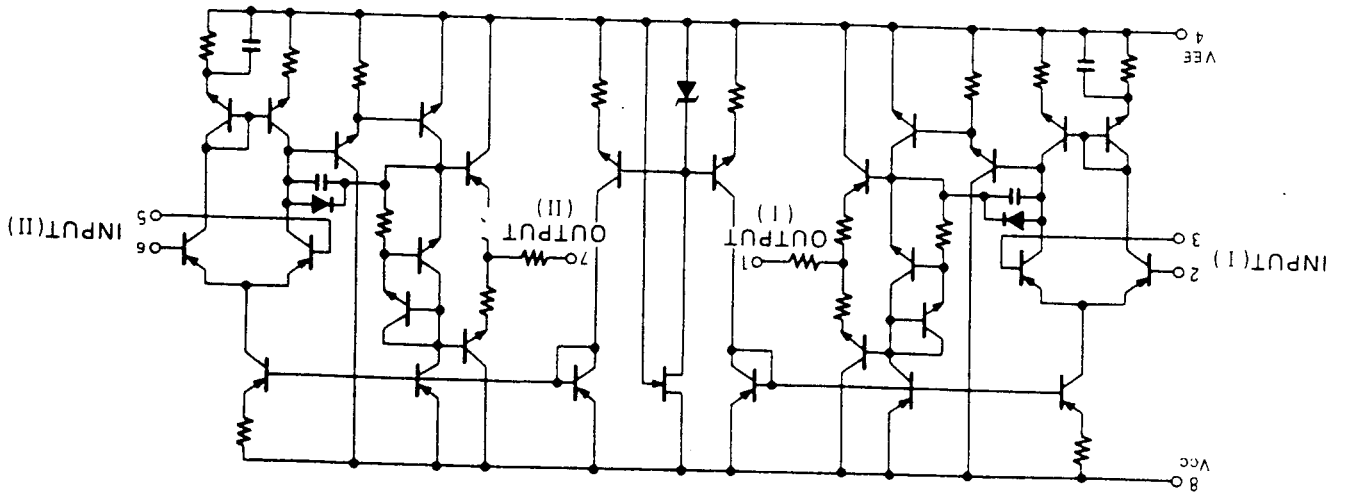
Specifications and features are subject to change without notice.

# BLOCK DIAGRAM

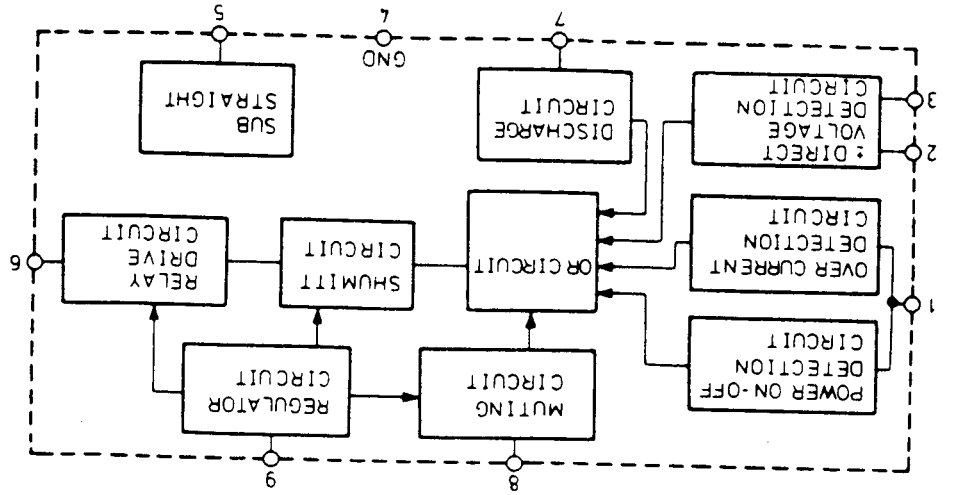


# IC BLOCK DIAGRAM

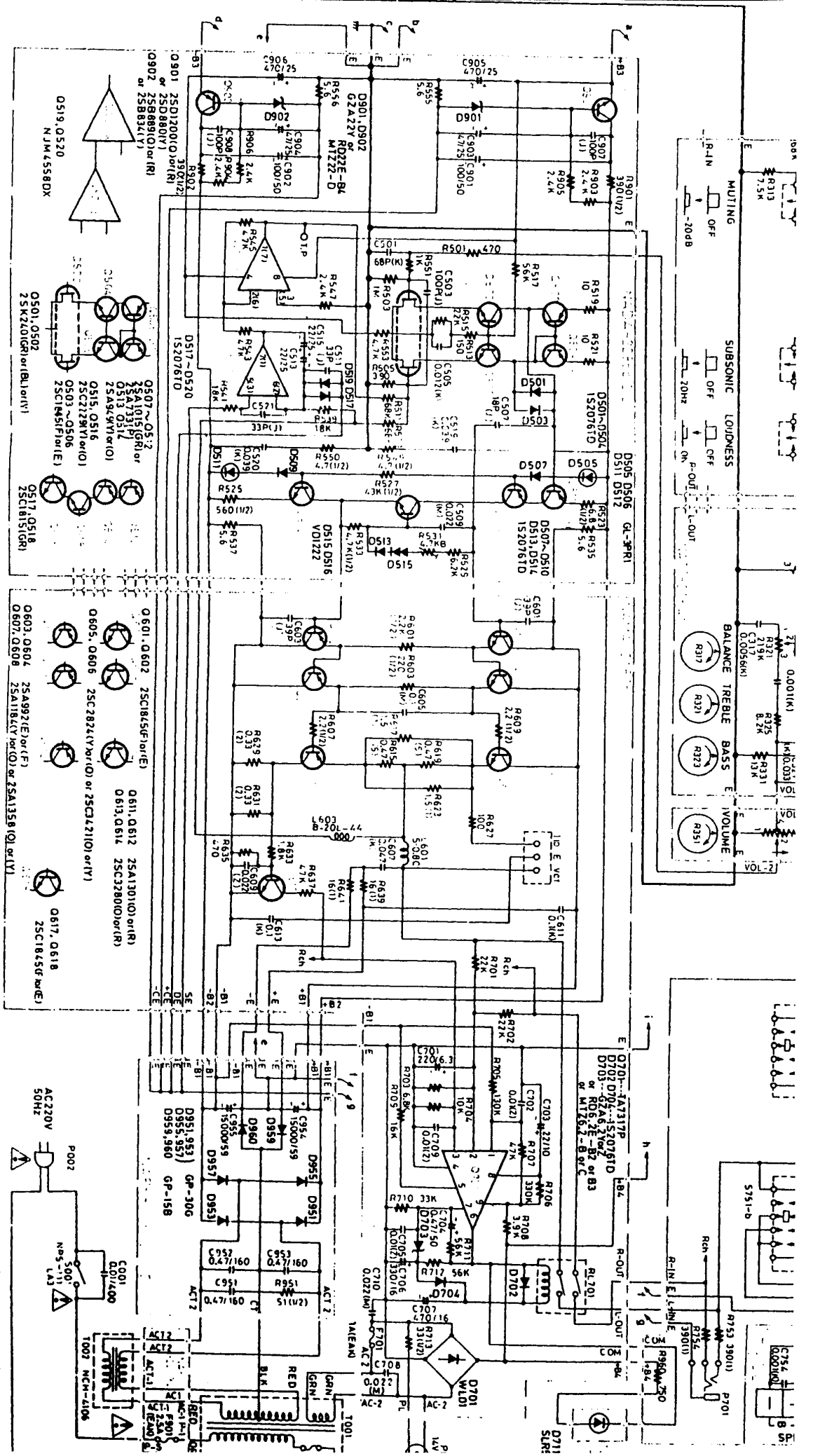
NJM-4560DX, NJM-4558DX



TA7317P







**ONKYO COR.**

A.2